



VOLVO XC40



Innovative. By Design

The XC40 is the authentic SUV for the city. High ground clearance, large wheels and true SUV proportions give it a powerful stance. And from the bold front grille to the beautifully detailed taillights it's every inch a Volvo. Uniquely Scandinavian and unmistakably urban, it's built for city life.

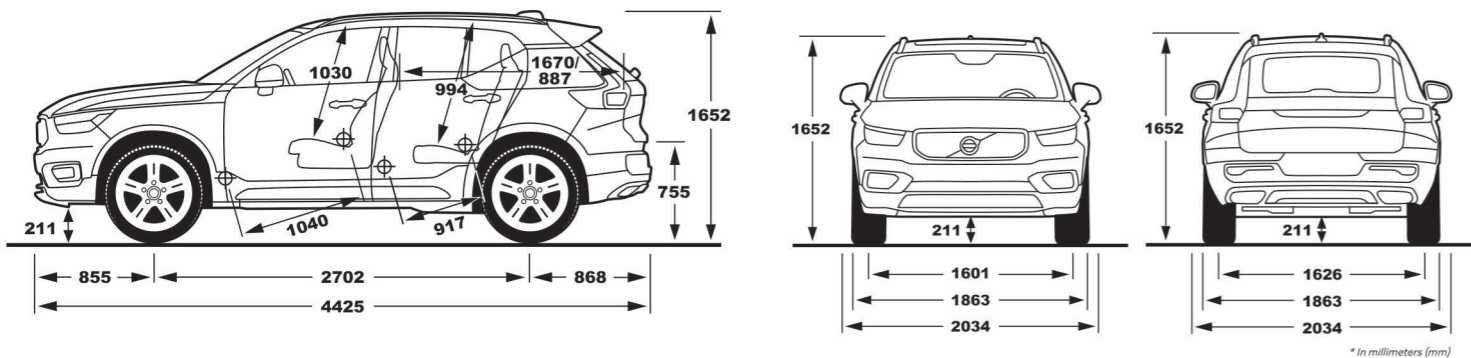


XC40 T5

R-DESIGN

SPECIFICATIONS

Engine description	2.0L, turbocharged
Drivetrain	All Wheel Drive
Number of Cylinders	4
Horsepower (hp)	252
Torque (Nm)	350
Top Speed (limited) km/h	230
Acceleration, 0-100 km/h in sec	6.5
Fuel Type	Petrol
Fuel Capacity (liters)	54
Fuel Consumption (mixed) km/l	14.08
Seating Capacity	5
Ground Clearance (mm)	211
Environmental Classification	Euro 6



XC40 FEATURES

Driving Dynamics

- Drive-E Engine with Turbocharger
- All Wheel Drive (AWD)
- 8-Speed Automatic Transmission with Geartronic
- Drive Mode Settings
- Electric Power Assist Steering (EPAS) with Adjustable Steering Wheel Force
- Gear Shift Paddles
- Sport Chassis
- Electronic Parking Brake with Auto Hold Function
- Hill Start Assist (HSA)
- Hill Descent Control (HDC)
- Electronic Brakeforce Distribution (EBD)
- Electronic Stability Control (ESC)
- Engine Start/Stop System

Driver Display, Controls & Information

- Digital Instrument Cluster with 12.3" TFT Adaptive Digital Display
- Intelligent Driver Information System (IDIS)
- Sensus Navigation
- Road Sign Information System (RSI)
- 3-Spoke R-Design Steering Wheel with Perforated Leather
- R-Design Sports Pedals
- R-Design Gear Lever
- Steering Wheel Controls
- Voice Control
- Digital Owner's Manual

Intellisafe - Preventive Safety

- City Safety - Collision Avoidance & Mitigation with Intersection Support
- Pedestrian, Cyclist & Large Animal Detection
- Front & Rear Collision Warning & Mitigation Support
- Driver Alert Control (DAC)
- Lane Keeping Aid (LKA)
- Run-Off Road Mitigation with Road Edge Detection
- Oncoming Lane Mitigation
- Blind Spot Information System (BLIS) with Steer Assist
- Cross Traffic Alert (CTA)
- Seat Belt Detection with Graphical Indicator for All Seats
- Anti-Lock Brake System (ABS)
- Emergency Brake Assist (EBA)

Intellisafe - Protective Safety

- Pre-Prepared Restraints (PRS)
- Run-Off Road Protection
- Dual Stage Driver & Front Passenger Airbags
- Driver's Side Knee Airbag
- Side Impact Protection System (SIPS) with Dual Chamber SIPS Airbags
- Full-Length Inflatable Curtains (IC)
- Whiplash Protection System (WHIPS) for Front Seats
- Post-Collision Auto Braking & Unlocking
- Collapsible Steering Column
- Brake Pedal Release
- Energy Absorbing Seat Cushions

Intellisafe - Child Safety

- Power Child Safety Lock
- Passenger Airbag Cut-Off Switch
- ISOFIX Attachment Point, Second Row Outer Seats
- Power Windows with Pinch Protection
- Integrated 2-Stage Booster Cushion, Second Row Centre Seat

Security

- Volvo Guard Alarm with Immobilizer, Interior Mass Movement & Inclination Sensor
- R-Design Leather Key Integrated Remote with Central Locking
- Remote Key Tag / Sport Key
- Private Locking & Tailgate
- Home Safe Light

Exterior

- R-Design Grille
- Integrated Roof Rails with Glossy Black Finish
- Glossy Black Skid Plates, Front & Rear
- Dual Integrated Tailpipes
- Solid Black Roof Top
- Door Handles with Illumination & Ground Lighting
- Glossy Black Exterior Mirrors
- Power Retractable Exterior Mirrors
- Windscreen Wipers with Integrated Washers
- Capless Refuelling System
- Welcome Light / Approach Light

Wheels

- 19" 5-Double-Spoke Black Diamond Cut Alloy Wheels with 235/55R19
- Indirect Tire Pressure Monitoring System (iTPTS)
- T125/80R18 Tempa Spare Wheel
- Jack, Tools & Safety Triangle

Lights

- LED Daytime Running Lights (DRL)
- Full LED Illumination Headlights with Active High Beam & Active Bending Lights (ABL)
- High-pressure Headlight Cleaners
- Automatic Headlight Levelling System
- Front LED Fog Lights with Cornering Function
- Rear Fog Lights
- High Position Rear Brake Light
- Emergency Brake Lights - Flashing Brake Lights & Hazard Warning

Interior

- R-Design Cutting Edge Decor Inlay
- Frameless Rear-view Mirror
- R-Design Front Tread Plates
- R-Design Textile Carpets
- High-Level Interior Illumination Package
- Charcoal Headliner

Seats & Upholstery

- R-Design Seats in Leather / Nubuck Upholstery
- Power Adjustable Driver Seat
- Power Adjustable Front Passenger Seat
- Memory for Driver Seat including Exterior Mirrors
- Power Adjustable Lumbar Support - 4-Way
- Mechanical Cushion Extension, Driver Seat
- Mechanical Cushion Extension, Front Passenger Seat
- Mechanical release / fold for Rear Seats

Convenience

- Keyless Entry & Drive
- Rain Sensor with Tunnel Detection
- Adaptive Cruise Control
- Driver Assist System
- Park Assist Front & Rear
- Rear View Camera
- Automatically Dimmed Inner & Outer Rear View Mirror
- Illuminated Vanity Mirror, Driver & Front Passenger
- Parking Ticket Holder
- Power Operated Tailgate with Hands-free Operation

Climate

- 2-Zone Electronic climate control (ECC)
- Clean Zone Interior Air Quality System
- Rear Air Conditioning Vents

Entertainment

- Sensus Connect with 9" Portrait Integrated Color Touchscreen
- Harman Kardon Premium Sound - 13 Speakers
- Bluetooth® Hands-free System with Audio Streaming
- 2 USB Port
- 1 USB Type-C Port in Rear End Tunnel Console
- Apple Carplay & Android Auto
- Wireless Mobile Phone Charging

Load & Versatility

- Cup Holders and Storage in the Rear Seat Armrest
- 12V Socket in Tunnel Console & Cargo Area
- Foldable Load Floor with Grocery Bag Holder
- Storage Box Under Driver Seat
- Glove Box with Folding Hook
- Waste Bin With Net In Front Of Armrest
- Parcel Shelf
- Protective Scuff Plate, Tailgate

MODEL YEAR 2020 | VOLVO PHILIPPINES

Specifications, features, and equipment shown in this catalog are based upon the latest information. Volvo Philippines reserves the right to make changes at any time, without notice, to colors, specifications, accessories, materials, and models. Please allow seven (7) working days for the vehicle's pre-delivery inspection.

INTELLISAFE

Your Volvo XC40 comes with comprehensive IntelliSafe technologies as standard, including all the safety you'd expect from a Volvo and more. You will also get City Safety, which encompasses technologies designed to help avoid collisions with other vehicles, pedestrians, cyclists and large animals. City Safety can also autobrake if you're about to turn into the path of an oncoming car in an intersection, while Oncoming Lane Mitigation helps you avoid collisions with oncoming vehicles by providing automatic steering assistance. Also included is IntelliSafe Assist that supports your driving such as Adaptive Cruise Control and Pilot Assist. Add IntelliSafe Surround, and you'll get the benefit of technology that alerts you to vehicles approaching in your blind spot or from behind and can provide additional steer assist if needed, for your safety and confidence.



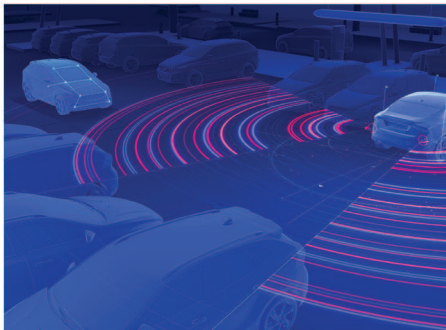
Pedestrian and Cyclist Detection with Full Auto Brake



Driver Assist System



Rear Collision Warning & Mitigation Support



Cross Traffic Alert



City Safety with Front Collision Warning and Full Auto Brake



Run-off Road Protection

COLORS



Bursting Blue Metallic



Crystal White Metallic



Fusion Red Metallic



Thunder Grey Metallic